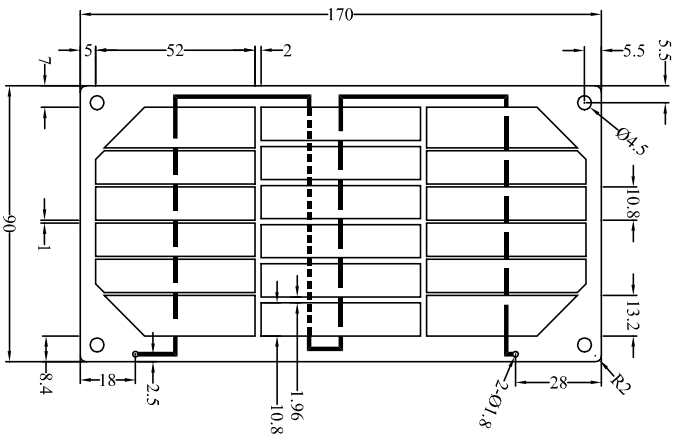
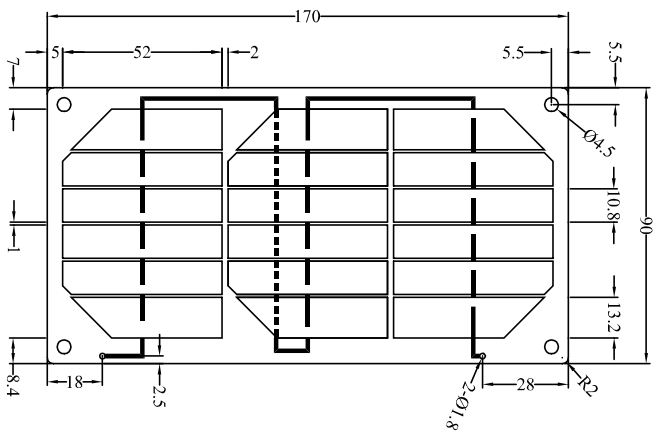


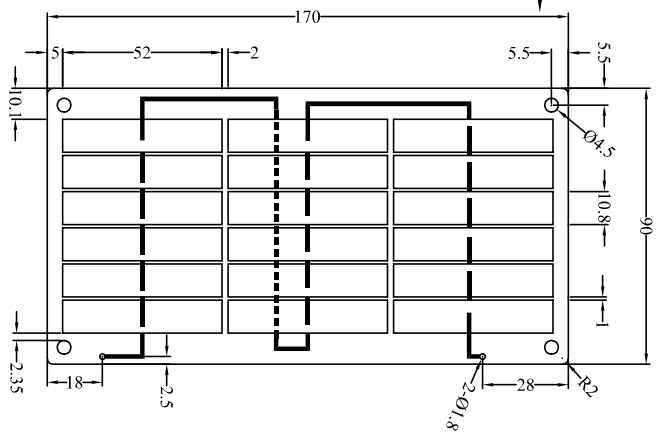
REV#	REVISION DESCRIPTION	DATE	APPROVED
02	修改太阳片的尺寸	13-Jul-2010	Peter
03	修改排片方式	23-Jul-2010	Peter



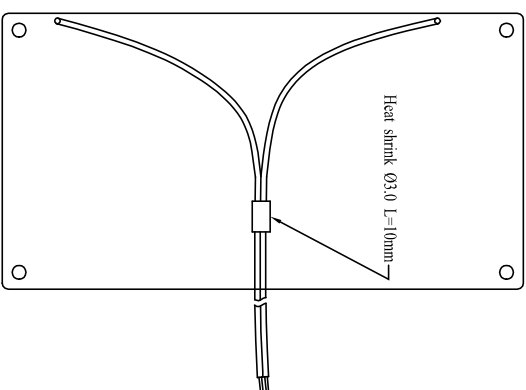
FRONT VIEW



FRONT VIEW



FRONT VIEW



BACK VIEW

CO/CUSTOMER: DESCRIPTION/PRODUCT:  
1.7W Solar Panel

STUDIO DEL SOLE INC.

PRODUCT MODEL: FP-PNL-S087-0193F06  
SUBSTRATE: FR4 1.6mm

DWG.NO. P070503 REV.03  
FILENAME: PSLM9.0-190  
CABLE AWG#: AWG#22 R/B TWIN-WIRE 500mm

DWG. BY: Peter 23-JUL-2010  
CHK. BY:  
SCALE: 1:2  
APP. BY:  
UNIT: mm

Spec.tolerance:±10%(VP,Ip)	
Cell:SCSH6M174-B0108X0520	
Cell Efficiency:17.0%	
Mc 18	pcs
Voc 10.6	V
Vp 9.0	V
mAsc 209	mA
mAp 190	mA
Wp 1.7	W